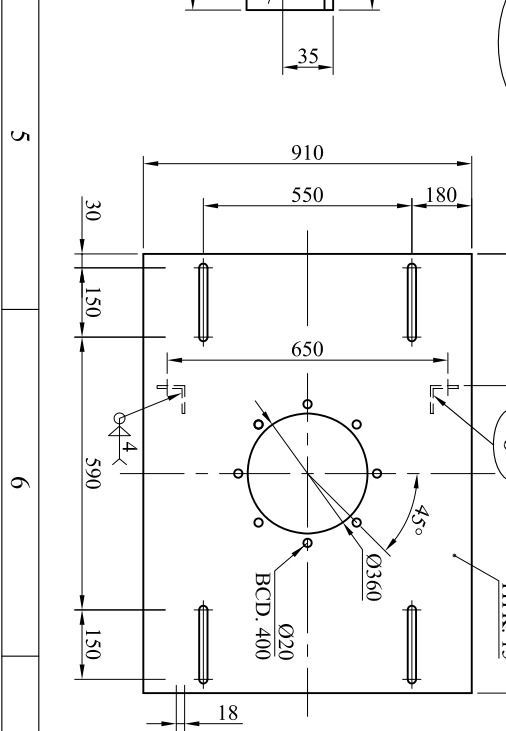
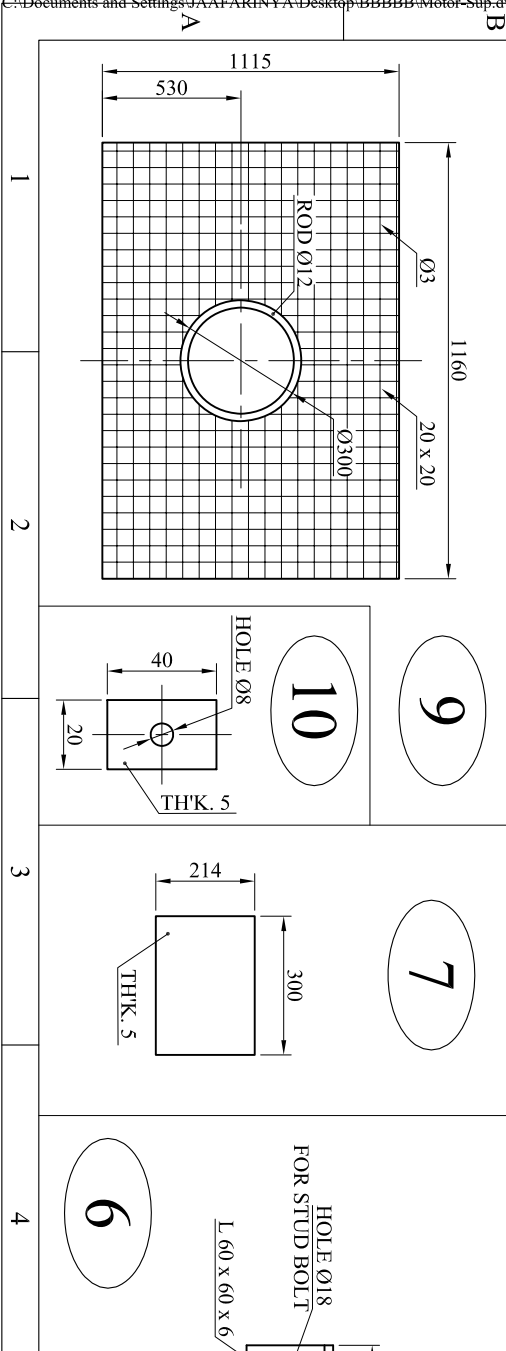
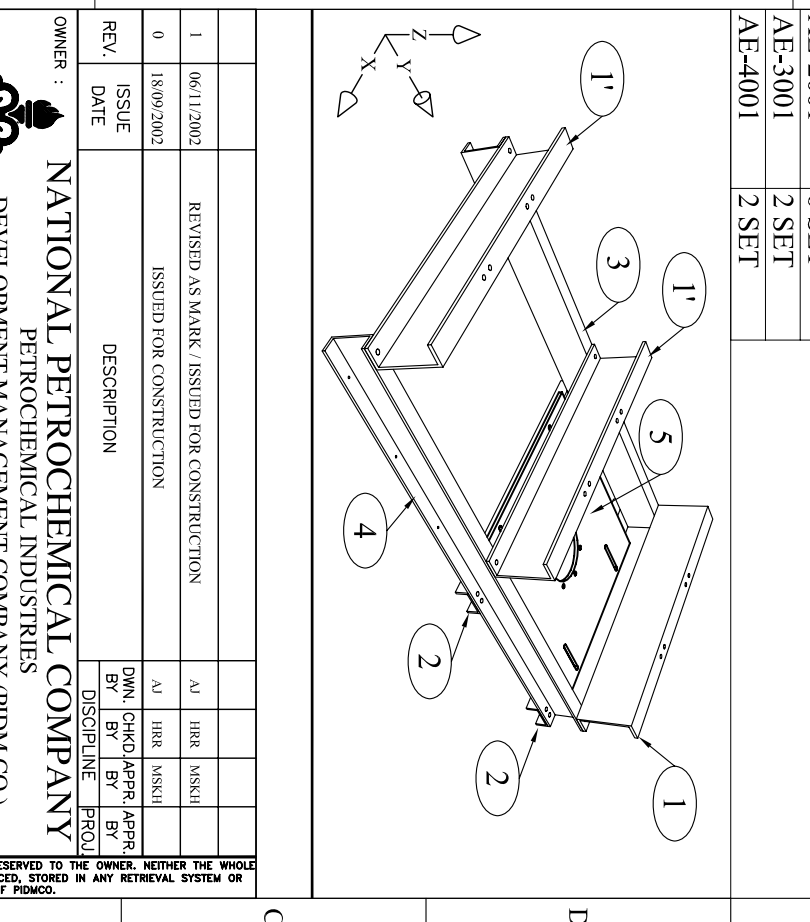
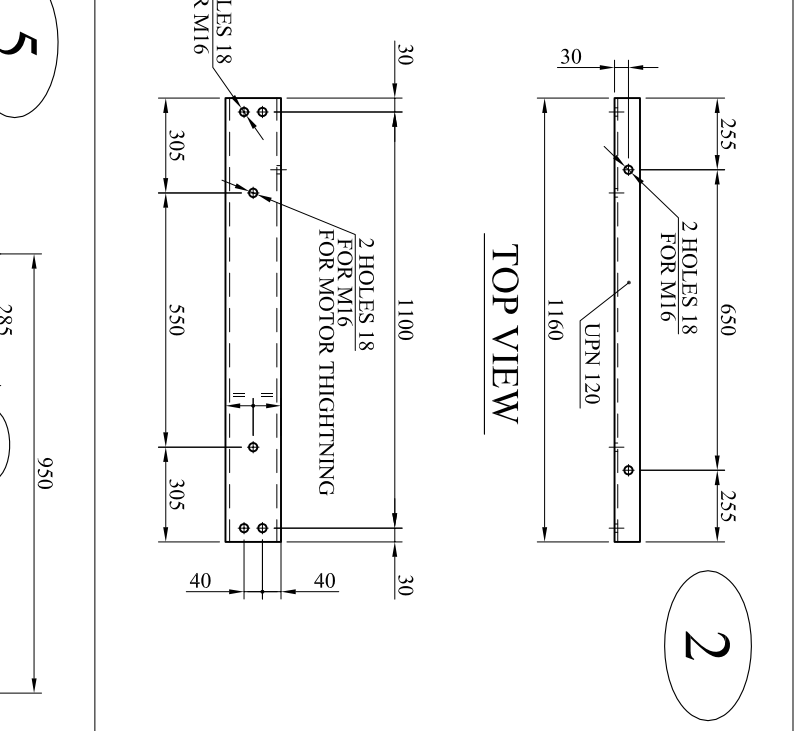
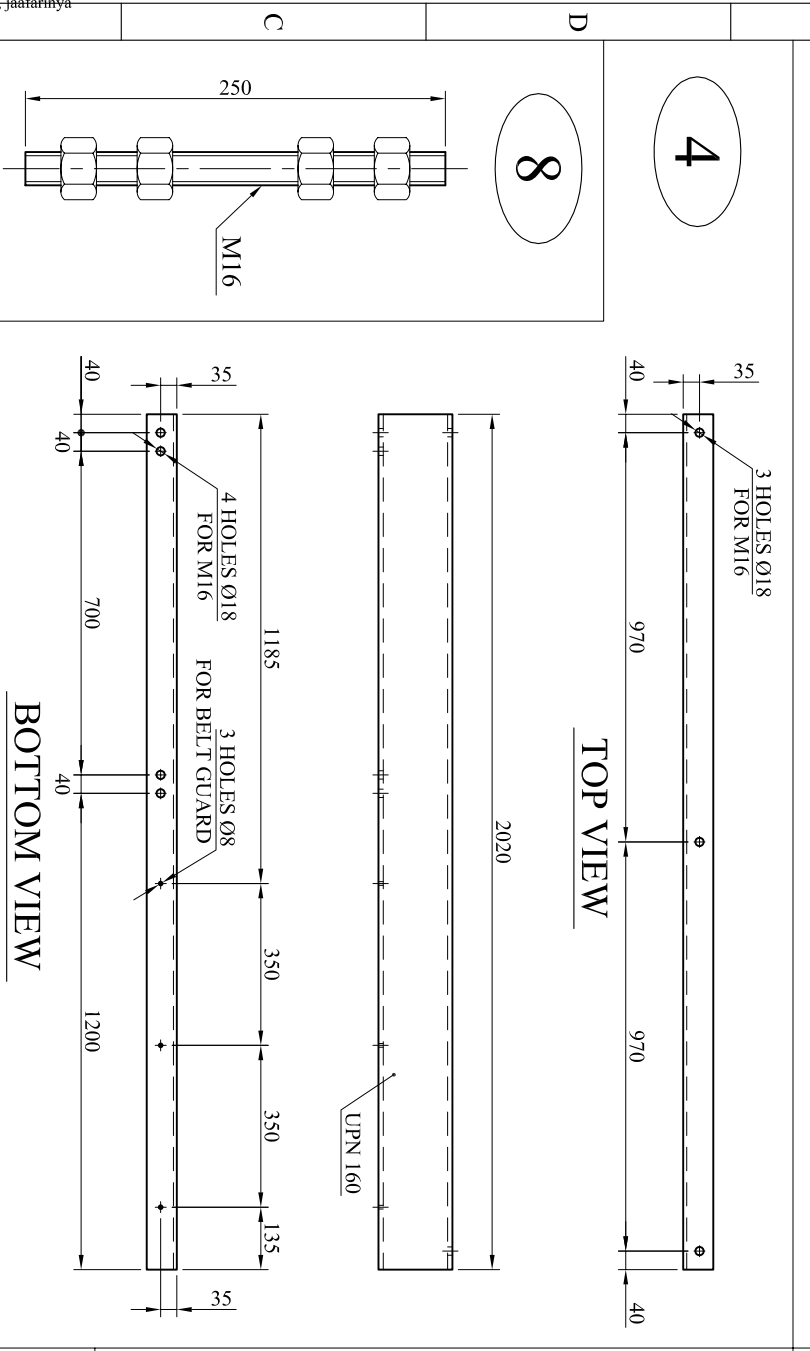


BILL OF MATERIAL FOR MOTOR SUPPORT					
PART NO.	PART NAME	MATERIAL	DIMENSION (mm)	QTY / SET	W/SET (kg)
1	MAIN SUPPORT	ST-37 (GAL.)	AS PER SKETCH	3	110
2	LATERAL SUPPORT	ST-37 (GAL.)	AS PER SKETCH	2	31
3	LONGITUDINAL SUPPORT	ST-37 (GAL.)	AS PER SKETCH	1	38
4	LONGITUDINAL SUPPORT	ST-37 (GAL.)	AS PER SKETCH	1	38
5	MOTOR FLANGE SUPPORT	ST-37 (GAL.)	AS PER SKETCH	1	90
6	THIGHTNING ELEMENT	ST-37 (GAL.)	AS PER SKETCH	2	1
7	VIBRATION SWITCH SUPPORT	ST-37 (GAL.)	AS PER SKETCH	1	2.5
8	THIGHTNING STUD WITH 4 NUTS	ST-307 (GAL.)	AS PER SKETCH	2 SET	4
9	MESH FOR BELT GUARD	ST-37 (GAL.)	AS PER SKETCH	1	2
10	MESH WASHER	ST-37 (GAL.)	AS PER SKETCH	6	1
11	SET OF BOLT & NUT FOR MESH	ST-307 (GAL.)	M 6	6 SET	---
12	SET OF BOLT & NUT FOR ASSEMBLY (Inc. Washer)	ST-307 (GAL.)	M 16 ; L=50	30 SET	2
13	SET OF BOLT & NUT FOR MOTOR ERECTION(Inc. Washer)	ST-307 (GAL.)	M 16 ; L=50	12 SET	0.5
				TOTAL (Kg)	320

BOTTOM VIEW

BOTTOM VIEW



REV.	DATE	ISSUE	DESCRIPTION	BY	CHKD.	APPR.	DISCIPLINE
1	06/11/2002	REVISED AS MARK / ISSUED FOR CONSTRUCTION		AI	HRR	NSKH	
0	18/09/2002	ISSUED FOR CONSTRUCTION		AI	HRR	NSKH	

THIS DOCUMENT IS THE PROPERTY OF PIDMCO. IT IS CONFIDENTIAL AND ALL RIGHTS RESERVED TO THE OWNER. NEITHER THE WHOLE NOR ANY PART OF THIS DOCUMENT MAY BE DISCLOSED TO ANY THIRD PARTY, REPRODUCED, STORED IN ANY RETRIEVAL SYSTEM OR TRANSMITTED IN ANY FORM FOR ANY MEANS, WITHOUT THE PRIOR WRITTEN CONSENT OF PIDMCO.