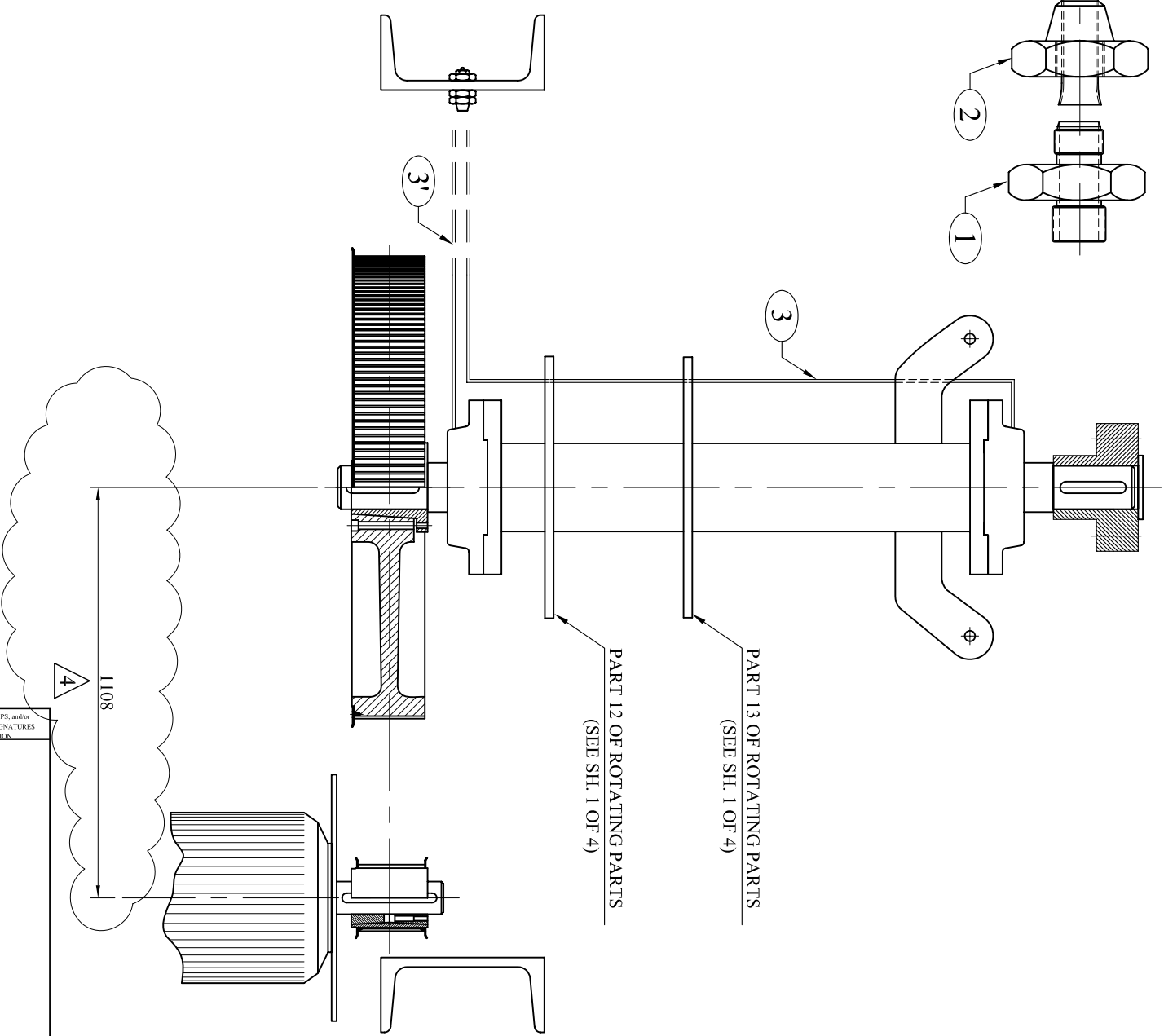
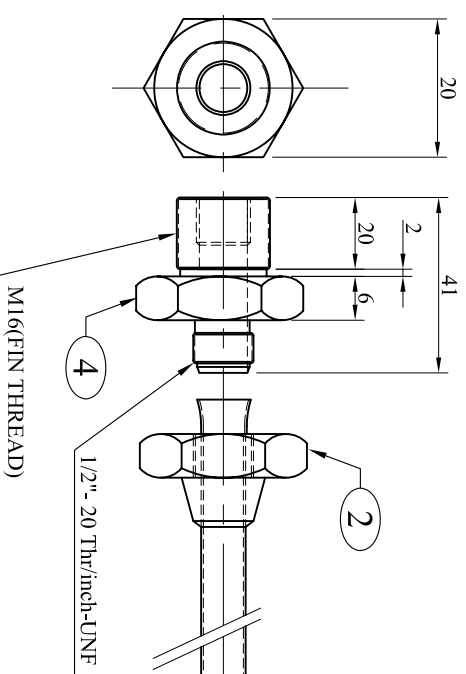
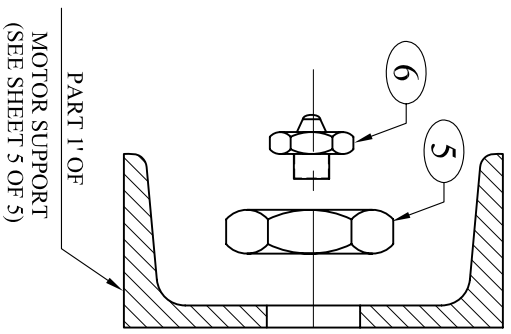


PART NO.	DESCRIPTION	QTY./SET	QTY./ITEM	QTY./STATION
1	1/4" B.S.P. THR. COUPLING	1	6	24
2	1/4" B.S.P. THR. NUT	2	12	48
3	STEEL TUBE (L = 3000)	1	6	24
3'	STEEL TUBE (L = 700)	1	6	24
4	GREASER M16	1	6	24
5	NUT M16	1	6	24
6	GREASE NIPPLE	1	6	24



REV.	DATE	DESCRIPTION	BY	CHECKED	APPROVED
4	21/01/2006	ISSUED FOR CONSTRUCTION	AJA	MSKII	MSKII
3	28/12/2005	ISSUED FOR CONSTRUCTION	AJA	MSKII	MSKII

SEALS, STAMPS, and APPROVAL SIGNATURES LOCATION

OWNER: NATIONAL IRANIAN GAS COMPANY
 شرکت ملی گاز ایران
 NIGC

PROJECT: IGAT V Gas Compressor Stations

PURCHASER: OTC

CONSULTANT: OTEC

DESIGNER: TASHA

SEALER: SEC

TITLE: ROTATING PART FOR SPY-2-(1-4)106-EA-101 (LUBRICANT SYSTEM)

SCALE: 2:OF 4

SHEET: 2 OF 4

DRAWING NO.: 602-106-TSH-VD-027

PROJECT NO.: 602

REV: 4

THIS DOCUMENT IS THE PROPERTY OF NIGC. IT IS CONFIDENTIAL AND ALL RIGHTS RESERVED TO THE OWNER. NEITHER THE WHOLE NOR ANY PART OF THIS DOCUMENT MAY BE DISCLOSED TO ANY THIRD PARTY, REPRODUCED, STORED IN ANY RETRIEVAL SYSTEM OR TRANSMITTED IN ANY FORM FOR ANY MEANS, WITHOUT THE PRIOR WRITTEN CONSENT OF NIGC.