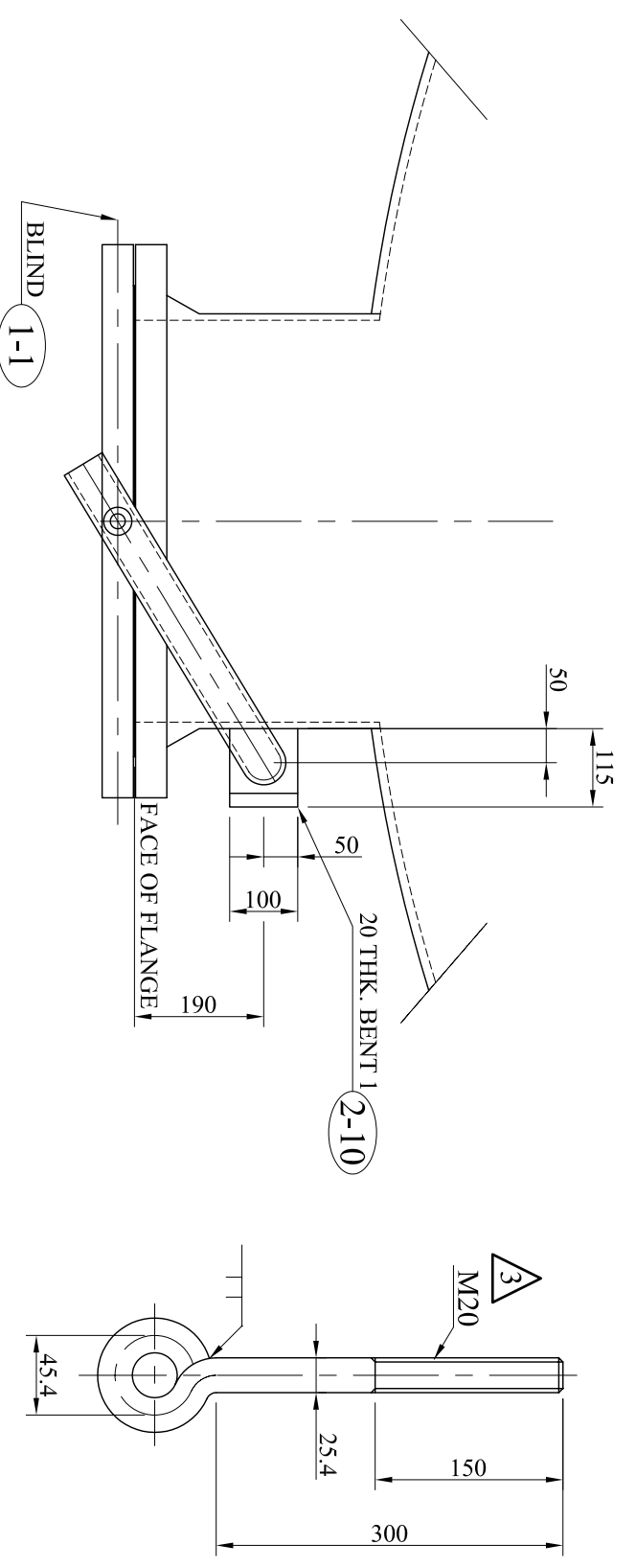
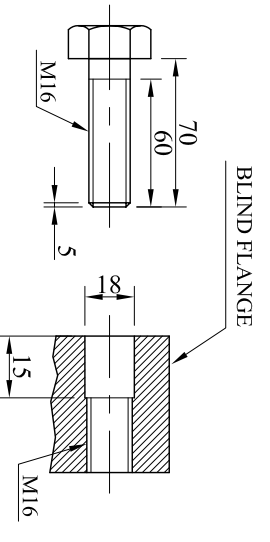
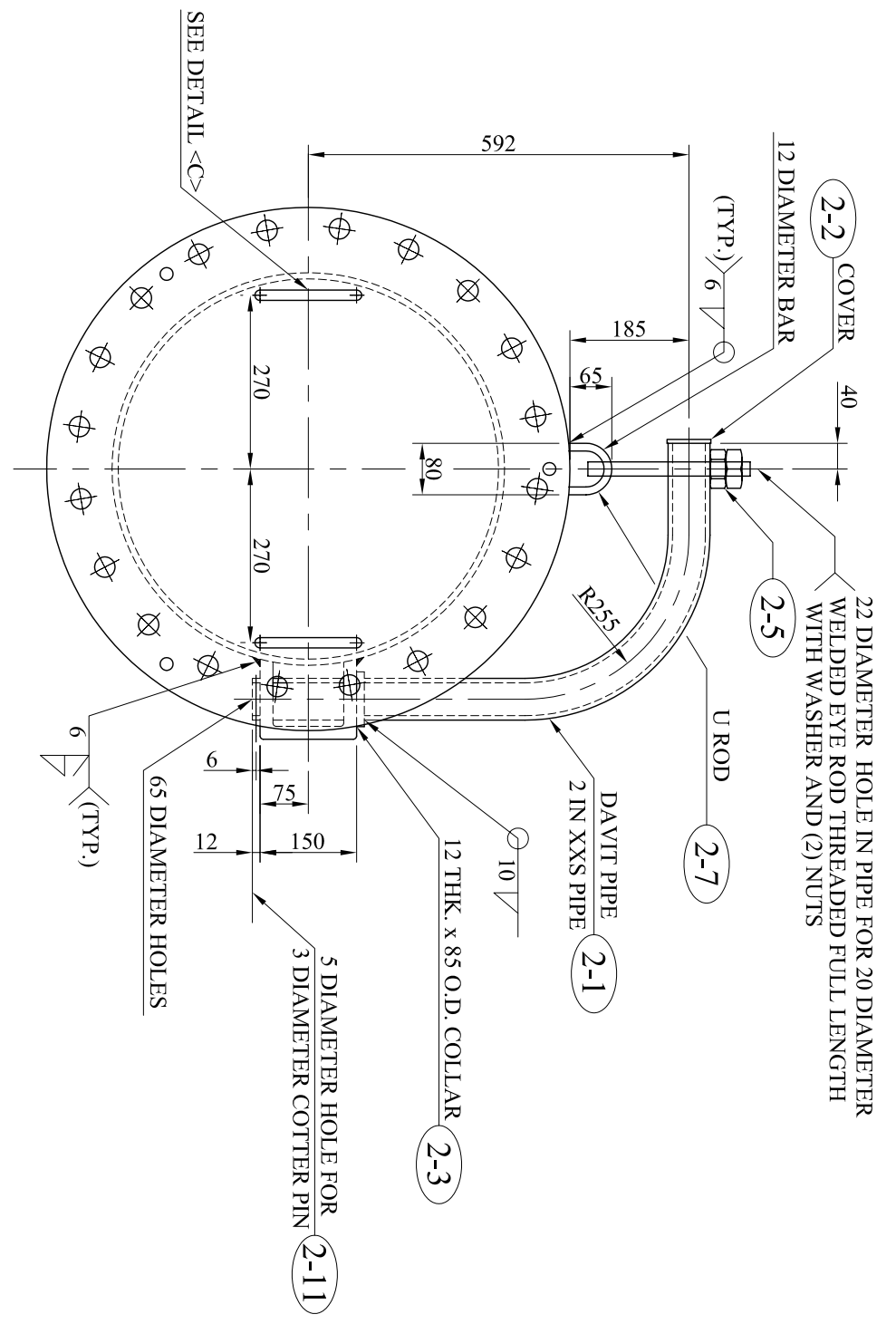
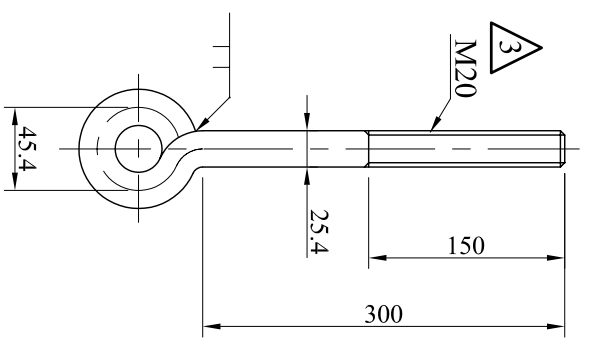


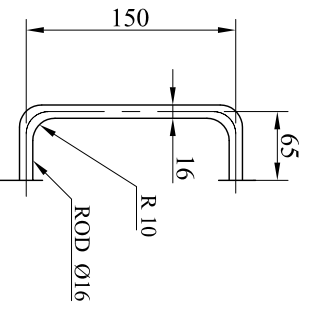
DAVIT PART LIST					
ITEM	DESCRIPTION	DIMENSION	MAT.	QTY.	REMARK
1-1	BLIND FLANGE	24" 150# RF	A-105	1	ANSI B.16.5
1-2	GASKET	FOR 24" FLANGE	SILICONE RUBBER	1+1	
1-3	NUT	1 1/4"	A-194 Gr 2H	40+4	4 AS SPARE PART
1-4	STUD BOLT	1 1/4" L=178	A-193 Gr B7	20+2	2 AS SPARE PART
2-1	DAVIT PIPE	2" SCH=XXS, L=968	A-53	1	
2-2	COVER	OD=68, THK=6	A-36	1	
2-3	WASHER	OD=85, ID=11.07, THK=12	A-36	1	
2-4	EYE ROD	M20, L=255	A-36	1	
2-5	HEX NUTS	M20	A-36	2	
2-6	WASHER	OD=60, ID=20, THK=6	A-36	1	
2-7	U ROD	Ø=20, L=140	A-36	1	
2-8	JACK BOLT	M16, L=60	S.S	3	EFFICIENT LENGTH=60 mm
2-9	HANDLE	Ø=16, L=280	A-36	2	
2-10	BENT 1	PL. 380x100x20	A-36	1	
2-11	COTTER PIN	Ø=3	A-36	1	



EYE ROD 2-4



DETAIL <> 2-8



DETAIL <> 2-9

Purchaser review and comment shall not be assumed to indicate either responsibility or liability for accuracy and completeness of this document or to alter any contractual terms and conditions.					
Item Numbers: S-4201					
Purchasers Disposition					
<input type="checkbox"/> No Comments			<input type="checkbox"/> Comments as Noted		<input type="checkbox"/> Rejected
Date	Company	Initial			
SDRL Code	REQ. NO.	Purchase Order No.			
B10	5777-41D1-B213-01	I-41D1-B213-01			
03	17.07.2004	ISSUED FOR FABRICATION	M.Z	M.Z	M.S.RH
02	03.07.2004	ISSUED FOR COMMENT/FABRICATION	M.Z	M.Z	M.S.RH
01	13.06.2004	ISSUED FOR COMMENT/FABRICATION	M.Z	M.Z	M.S.RH
REV.	ISSUE DATE	DESCRIPTION	DWG. CHK.	APP.	BY

OWNER:
KERMANSHAH PETROCHEMICAL INDUSTRIES CO.
 شرکت ملی صنایع پتروشیمی کرمانشاه
K.P.I.C

PROJECT:
AMMONIA & UREA COMPLEX IN KERMANSHAH, IRAN

CONTRACTOR:
Kawasaki

OFFSITE & UTILITY
DAVIT FOR MANHOLE FOR S-4201

SCALE: 1:1
 SHEET: 1 OF 1
 PROJECT NO.: 5777