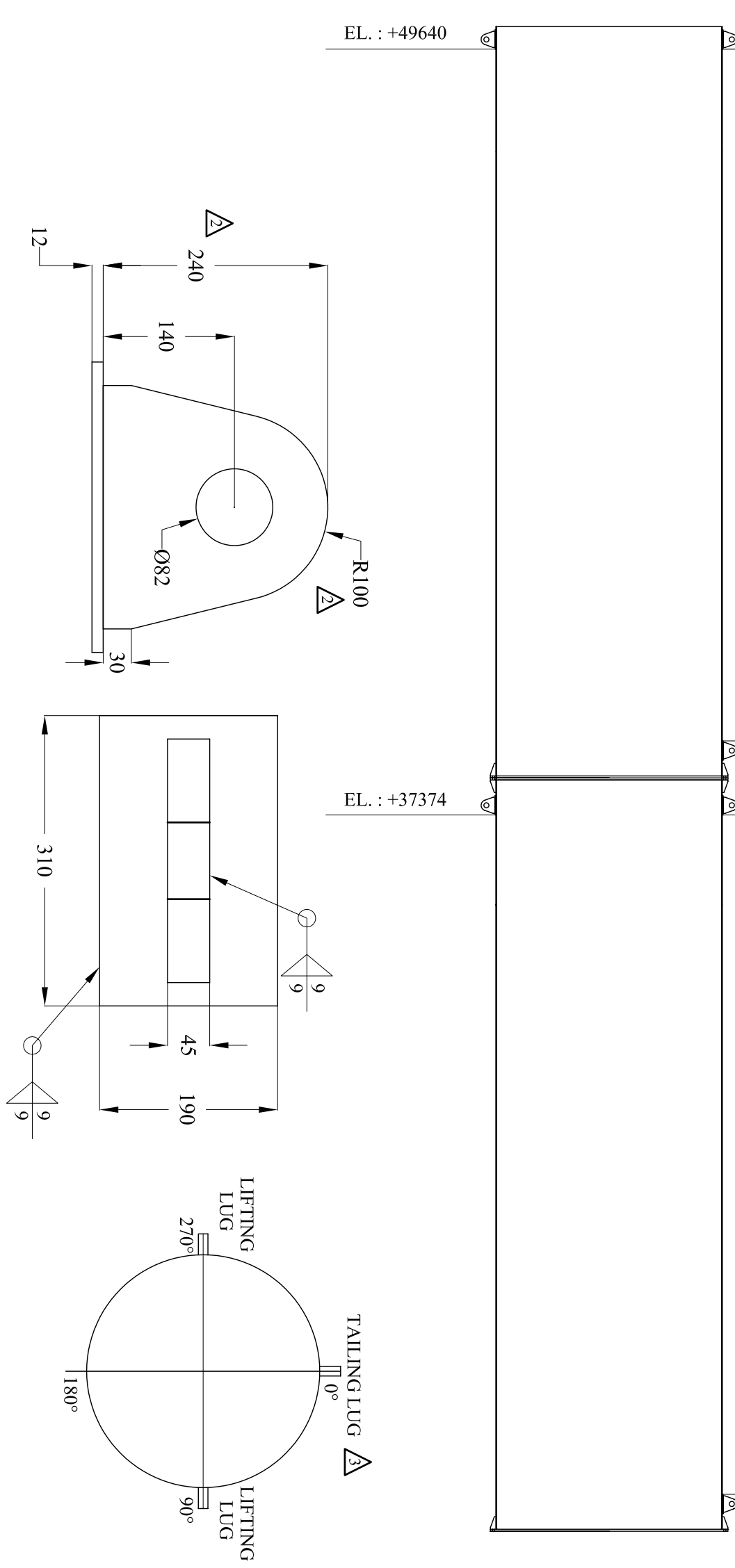


Note: Welding seam shall be inspected by MT



LIFTING LUG DETAIL

LIFTING LUG ORIENTATION

Purchaser review and comment shall not be assumed to indicate either responsibility or liability for accuracy and completeness of this document or to alter any contractual terms and conditions.					
Item Numbers: S-4201					
Purchasers Disposition					
<input type="checkbox"/> No Comments <input type="checkbox"/> Comments as Noted <input type="checkbox"/> Rejected					
Date	Company	Initial			
SDRL Code	REQ. NO.	Purchase Order No.			
B10	5777-41D1-B213-01	I-41D1-B213-01			
03	11.07.2004	ISSUED FOR FABRICATION	M.Z	M.Z	M.Z
02	03.07.2004	ISSUED FOR COMMENT/FABRICATION	M.Z	M.Z	M.Z
01	11.05.2004	ISSUED FOR COMMENT/FABRICATION	M.Z	M.Z	M.Z
REV.	ISSUE DATE	DESCRIPTION	DWG. BY	CHK. BY	APP. BY
OWNER: <b>KERMANSHAH PETROCHEMICAL INDUSTRIES CO.</b> شرکت ملی صنایع پتروشیمی <b>N.P.C</b> شرکت ملی صنایع پتروشیمی <b>K.P.I.C</b>					
PROJECT: <b>AMMONIA &amp; UREA COMPLEX IN KERMANSHAH, IRAN</b>					
CONTRACTOR: <b>Kawasaki</b>					
OFFSITE & UTILITY: <b>TOPI</b>					
VENDOR: <b>TOMEN</b>					
TITLE: <b>LIFTING LUG</b>					
SCALE: **	OWNER PROJECT NO.: K.P.I.C-99	DWG. NO.:	REV. 03		
SHEET: 1 OF 1	PROJECT NO.: 5777	SPEC: P1045-ST-DWG-0004			

THIS DOCUMENT IS THE PROPERTY OF PDMCO. IT IS CONFIDENTIAL AND ALL RIGHTS RESERVED TO THE OWNER AND/OR KH/NCE. NEITHER THE WHOLE NOR ANY PART OF THIS DOCUMENT MAY BE DISCLOSED TO ANY THIRD PARTY, REPRODUCED, STORED IN ANY RETRIEVAL SYSTEM OR TRANSMITTED IN ANY FORM FOR ANY MEANS, WITHOUT THE PRIOR WRITTEN CONSENT OF PDMCO AND/OR KH/NCE.