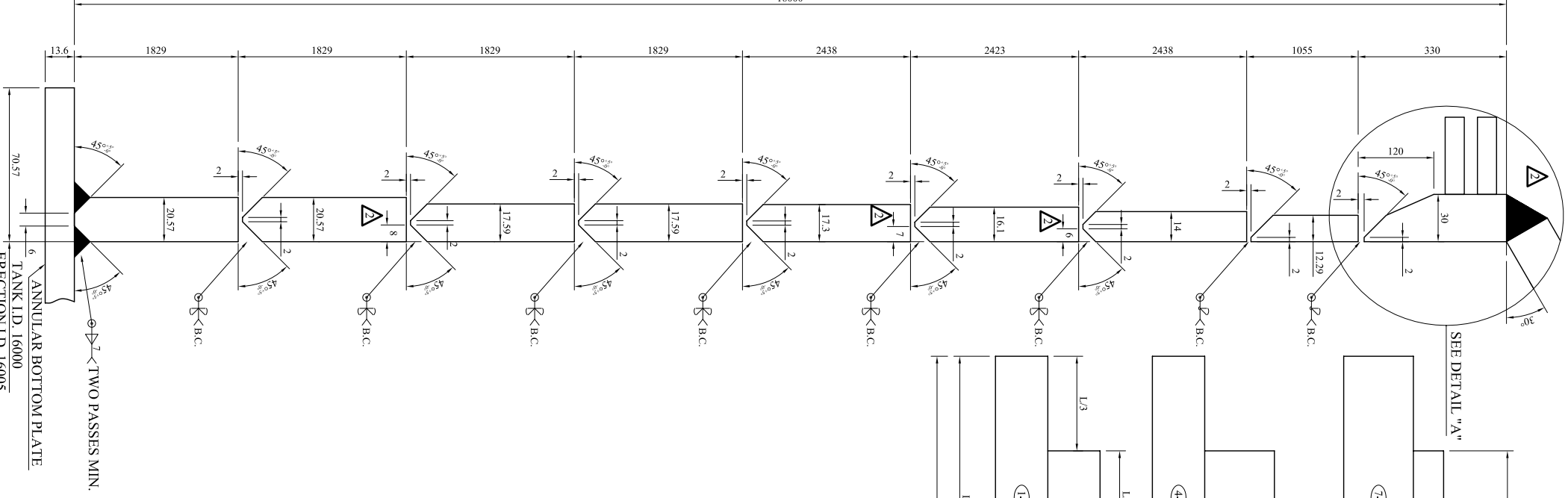
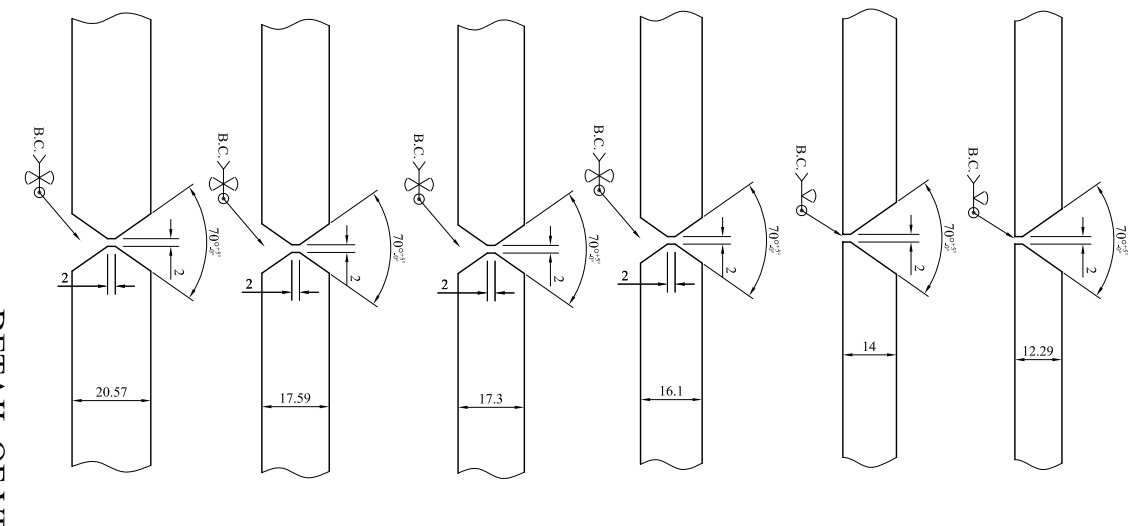


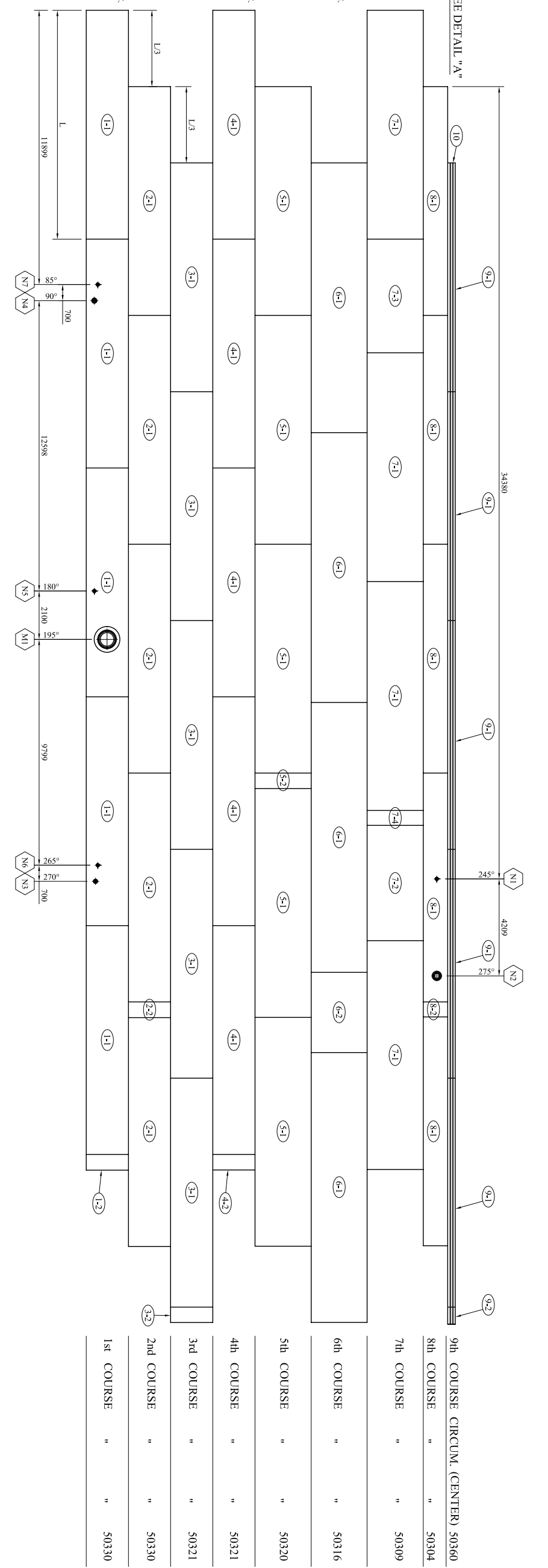
**DETAIL OF HORIZONTAL JOINTS**



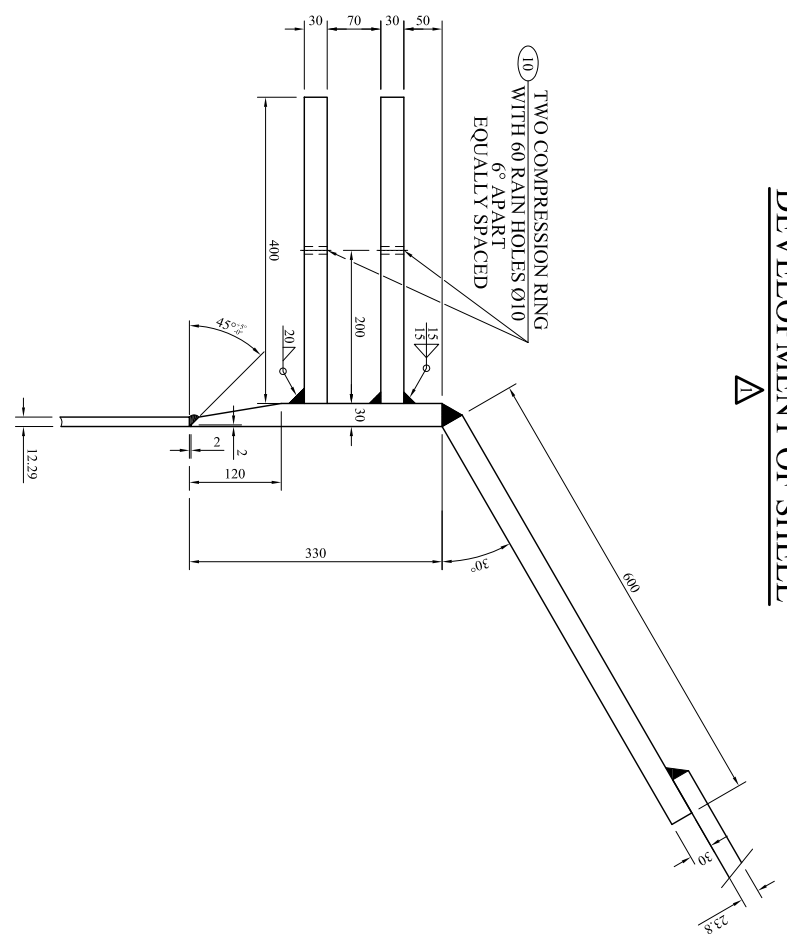
**DETAIL OF VERTICAL JOINTS**



**DEVELOPMENT OF SHELL**



**DETAIL "A"**



NOTE:  
 1-B.C. MEANS BACK CHIPPING AND ITS NECESSARY TO ELIMINATE DEFECTS OF THE FIRST LAYER IN WELD.  
 2-ALL VERTICAL & HORIZONTAL JOINTS ON SHELL PLATES SHALL BE FULL PENETRATION AND FULL FUSION.  
 3-ROUGH WELDS SHOULD BE GROUND TO REMOVE SHARP EDGES, UNDERCUTS, PINHOLES AND OTHER SUCH IRREGULARITIES. WELD SPATTERS SHOULD BE REMOVED.  
 SHARP EDGES AND FILLETS SHOULD BE GROUND TO A SMOOTH RADIUS OF 3mm; 6mm IS PREFERRED.

ITEM	DESCRIPTION	DIMENSION	MAT.	QTY	WEIGHT(Kg)	REMARK
1-1	SHELL PLATE	PL 9950 X 1829 X 20.57	SA-573-70	5	14664	
1-2	SHELL PLATE	PL 680 X 1829 X 20.57	SA-573-70	1	201	
2-1	SHELL PLATE	PL 9950 X 1829 X 20.57	SA-573-70	5	14664	
2-2	SHELL PLATE	PL 680 X 1829 X 20.57	SA-573-70	1	201	
3-1	SHELL PLATE	PL 9950 X 1829 X 17.59	SA-573-70	5	12340	
3-2	SHELL PLATE	PL 670 X 1829 X 17.59	SA-573-70	1	170	
4-1	SHELL PLATE	PL 9950 X 1829 X 17.59	SA-573-70	5	12340	
4-2	SHELL PLATE	PL 670 X 1829 X 17.59	SA-573-70	1	170	
5-1	SHELL PLATE	PL 9950 X 2438 X 17.3	SA-573-70	5	16439	
5-2	SHELL PLATE	PL 670 X 2438 X 17.3	SA-573-70	1	222	
6-1	SHELL PLATE	PL 11708 X 2433 X 16.1	SA-573-70	4	14342	
6-2	SHELL PLATE	PL 3484 X 2433 X 16.1	SA-573-70	1	1067	
7-1	SHELL PLATE	PL 9950 X 2438 X 14	SA-573-70	4	10643	
7-2	SHELL PLATE	PL 5000 X 2438 X 14	SA-573-70	1	1340	
7-3	SHELL PLATE	PL 4950 X 2438 X 14	SA-573-70	1	1321	
7-4	SHELL PLATE	PL 650 X 2438 X 14	SA-573-70	1	175	
8-1	SHELL PLATE	PL 9950 X 1055 X 12.29	SA-573-70	5	5054	
8-2	SHELL PLATE	PL 650 X 1055 X 12.29	SA-573-70	1	67	
9-1	SHELL PLATE	PL 9950 X 330 X 30	SA-573-70	5	3859	
9-2	SHELL PLATE	PL 710 X 330 X 30	SA-573-70	1	56	NORMALIZED
10	COMPRESSION RING I.D.=16060.O.D.=16860.THR.=50		SA-573-70	2	9744	
				TOTAL WEIGHT(Kg)	119479	

**NATIONAL IRANIAN OIL COMPANY**  
**PETROIRAN DEVELOPMENT COMPANY**

PROJECT NUMBER: SL670 CONTRACT NUMBER: 83-PS-268 Scale: NO

**Technip**  
 IRAN INTERNATIONAL GENERAL CONTRACTOR COMPANY. I.G.C.

DESIGNER: **SEC** Sabz Engineering Company  
 سبز مهندسی سبز

TITLE:  
 SIRRI GAS COMPRESSION FACILITIES, EPC-3 OFF-SPEC CONDENSATE STORAGE TANK 2500M<sup>3</sup> CONE ROOF-TK-143-T-102 SHELL PLATE

DRAWING No. SL700 - SRFA - DR - ME - 1203 SHEET:1/1 Rev. 2

REV	DATE	ORIG.	DESCRIPTION	PREP.	CHK.	APP.
2	2005	I.G.C.	ISSUED FOR APPROVAL	S.N.	B.KH.	M.S.KH.
1	2005	I.G.C.	ISSUED FOR APPROVAL	S.N.	B.KH.	M.S.KH.
0	2005	I.G.C.	ISSUED FOR APPROVAL	S.N.	B.KH.	M.S.KH.