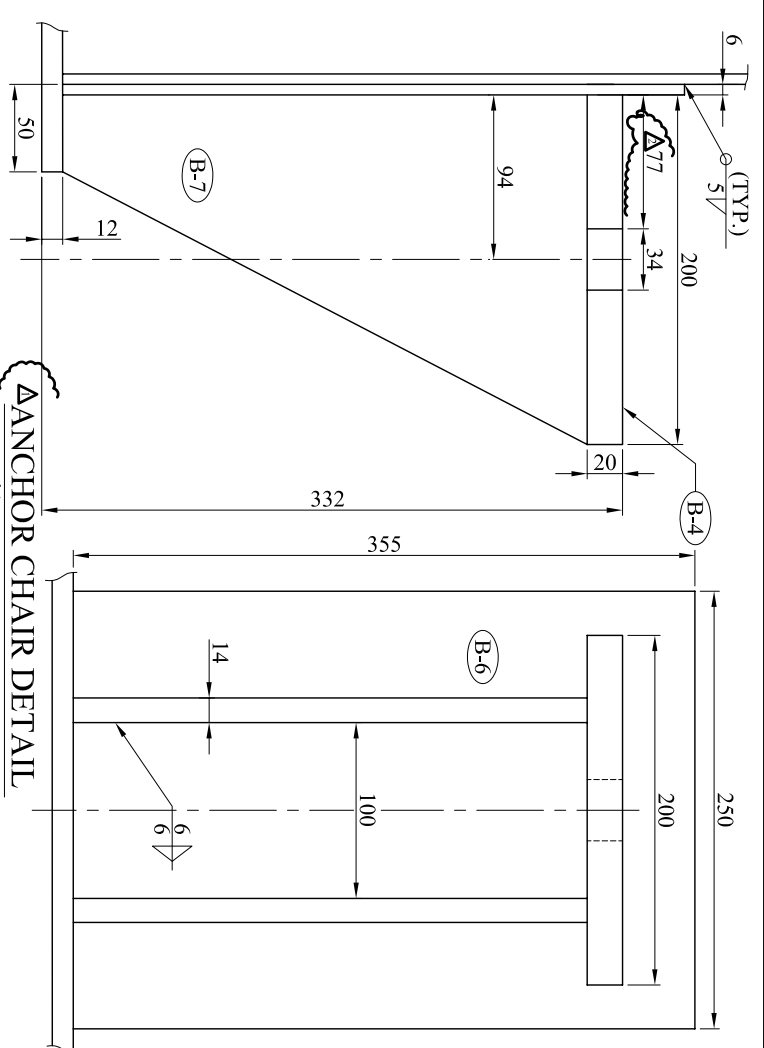
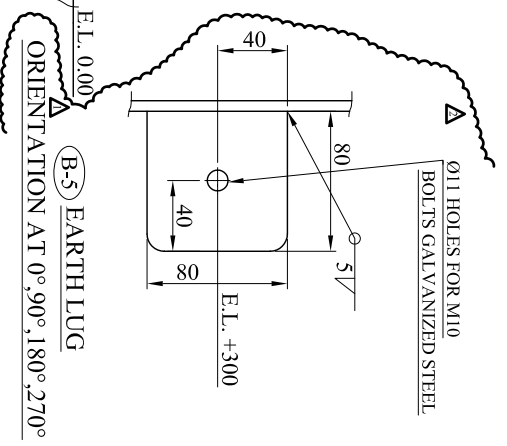


SUMP DETAIL

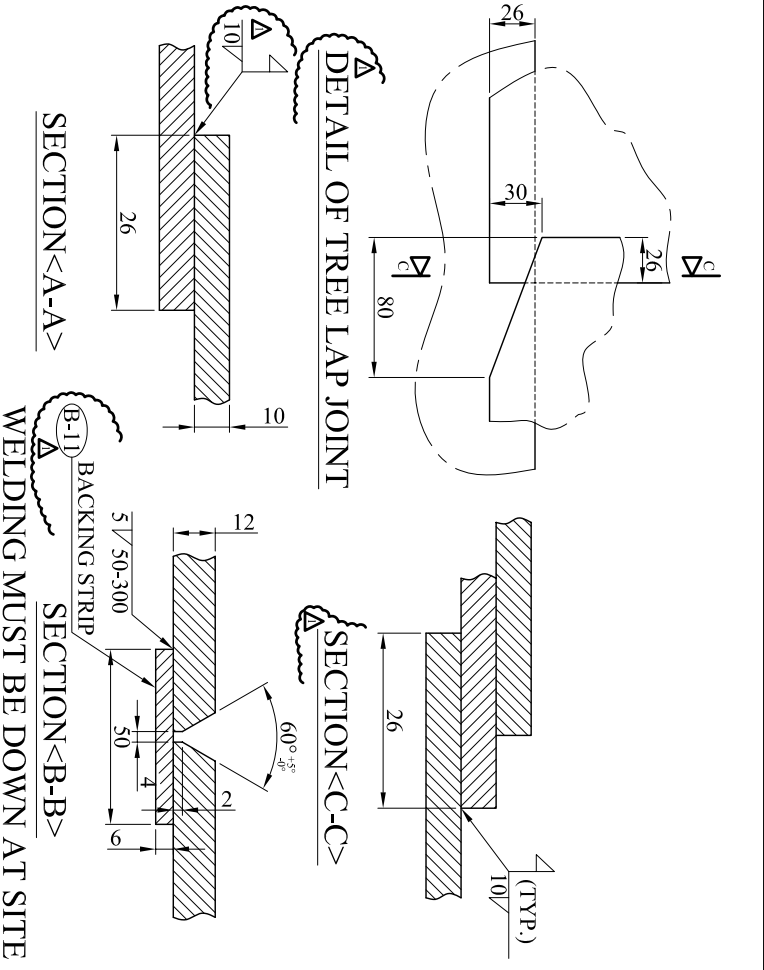
ITEM	DESCRIPTION	DIMENSION	MAT.	QTY.	REMARK
B-1	PLATE	SEE DWG.	A 283 C	1	
B-2	PLATE	SEE DWG.	A 283 C	2	
B-3	PLATE	SEE DWG.	A 283 C	10	
B-4	PLATE	PL 200 x 200 x 20	A 283 C	16	
B-5	PLATE	PL 50 x 70 x 10	A 283 C	4	
B-6	PLATE	PL 355 x 250 x 6	A 283 C	16	
B-7	PLATE	PL 300 x 200 x 14	A 283 C	32	
B-8	PLATE	PL OD=1200, THK.=10	A 283 C	1	
B-9	PLATE	PL 380L x 600 x 10	A 283 C	1	
B-10	PLATE	PL OD=1370, ID=1140, THK.=10	A 283 C	1	
B-11	PLATE	PL 1500 x 50 x 6	A 283 C	10	



ANCHOR CHAIR DETAIL



ORIENTATION AT 0°, 90°, 180°, 270°



SECTION <A-A>

SECTION <B-B>

SECTION <C-C>

PIDEC REVIEW & COMMENTS DOES NOT ABSOLVE THE VENDOR OF HIS RESPONSIBILITY FOR THE CORRECT DESIGN, MANUFACTURING AND OPERATION OF THE EQUIPMENT.

DESIGN & ENGINEERING COMPANY (PIDEC)

NO COMMENT

COMMENTS AS MARKED, FABRICATION CAN PROCEED ACCORDINGLY, REVISED DDOCT TO BE ISSUED EITHER FOR REVIEW OR AS FINAL CERTIFIED, HOWEVER PIPED WILL CHECK THIS REVISED DOCUMENT FOR PROPER INCORPORATION.

REFLECTED DOCUMENT TO BE REISSUED, DO NOT PROCEED WITH THE FABRICATION.

USED/RECEIVED FOR INFORMATION ONLY.

SIGNATURE: _____ DATE: _____

SEQ. NO.: _____ REQ. NO.: _____

GENERAL DRAWINGS & SHELL DETAIL	DOCUMENT NUMBER
SEC-P1-091-ME-DWG-001	

REFERENCE DRAWINGS

OWNER: NATIONAL PETROCHEMICAL COMPANY
PETROCHEMICAL INDUSTRIES
DEVELOPMENT MANAGEMENT COMPANY (PIDM CO.)
AMMONIA AND UREA COMPLEX
IN BANDAR ASSALUYEH

CONTRACTOR: CONSORTIUM OF TOYO ENGINEERING CORPORATION, CHYODA CORPORATION & PIDEC
TOYO ENGINEERING CORPORATION
CHYODA CORPORATION
PIDEC

VENDOR: AMMONIA PLANT LICENSER: M.W. KELLOGG
COOLING WATER MAKE UP TANK
TR-5301
BOTTOM DETAIL

SCALE: 1/8" = 1'

SHEET: 1 OF 1

REV.: 2

THIS DOCUMENT IS THE PROPERTY OF PIDEC. IT IS CONFIDENTIAL AND ALL RIGHTS RESERVED TO THE OWNER. NEITHER THE WHOLE NOR ANY PART OF THIS DOCUMENT MAY BE DISCLOSED TO ANY THIRD PARTY, REPRODUCED, COPIED, OR TRANSMITTED IN ANY FORM OR BY ANY MEANS, WITHOUT THE PRIOR WRITTEN CONSENT OF PIDEC.