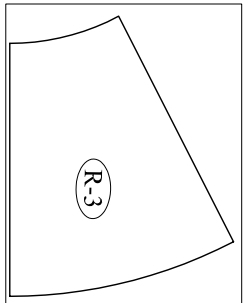
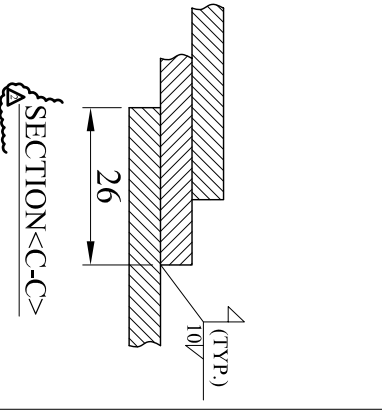
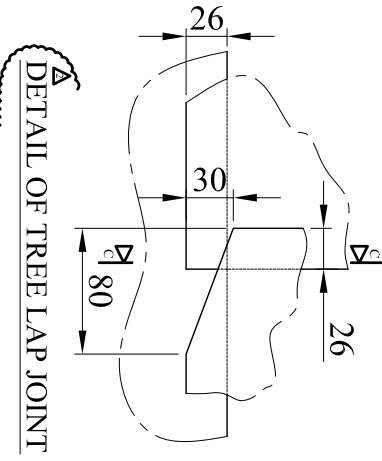
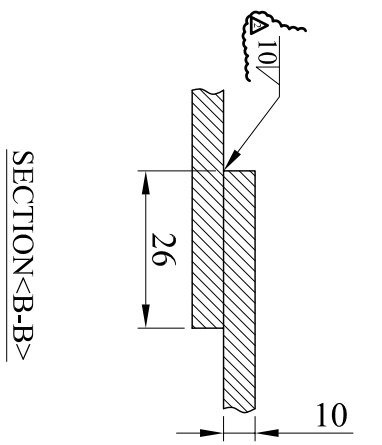
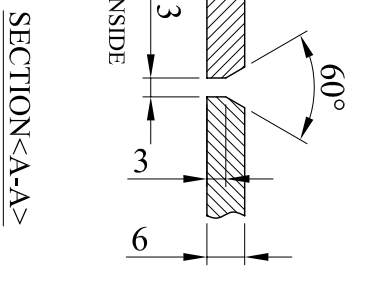
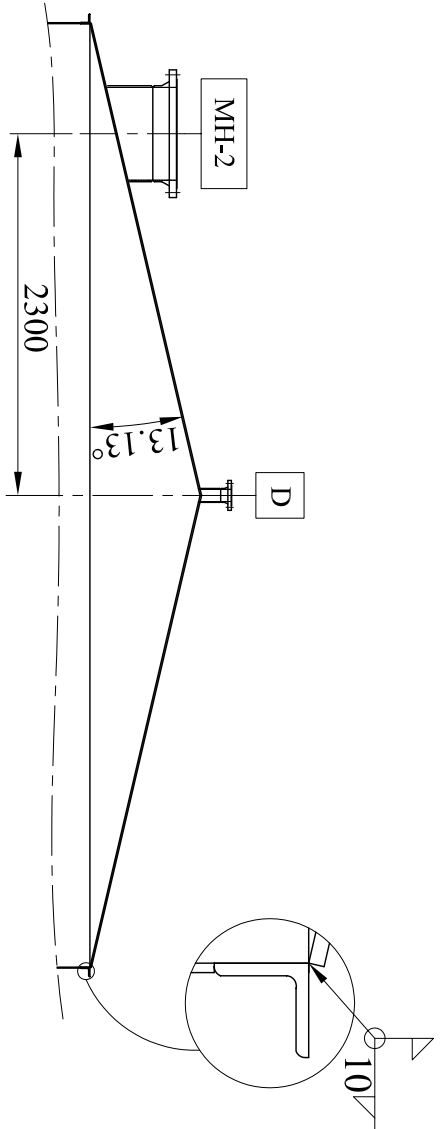
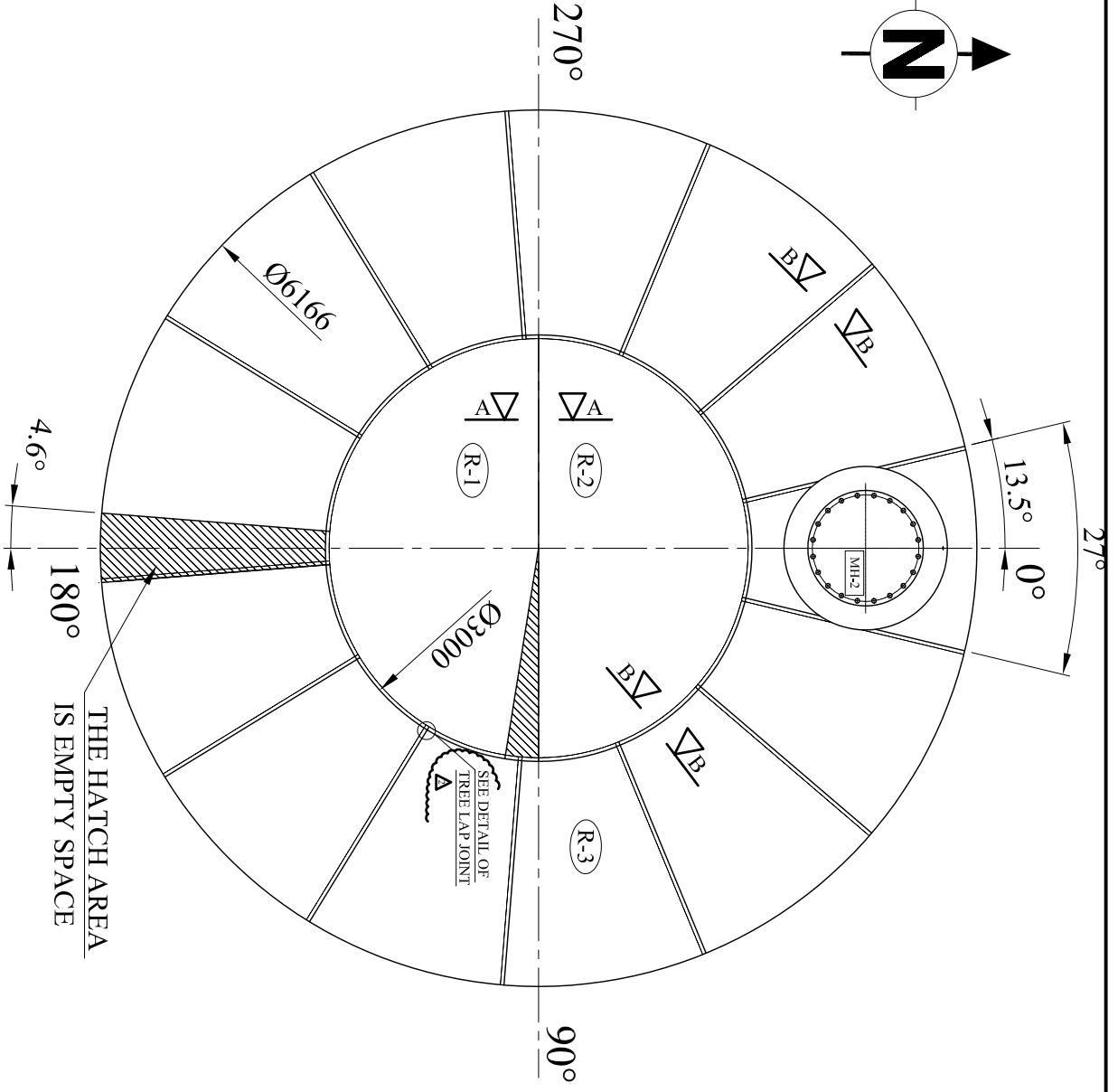
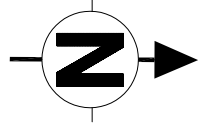
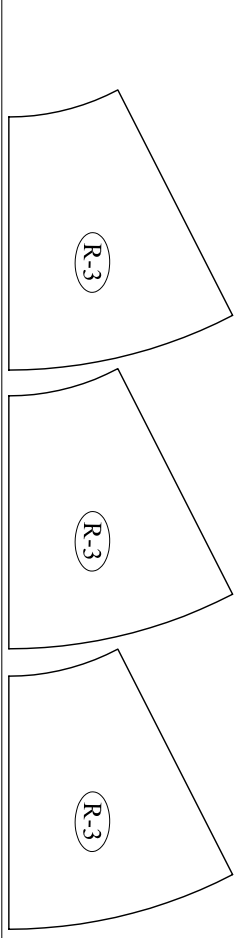


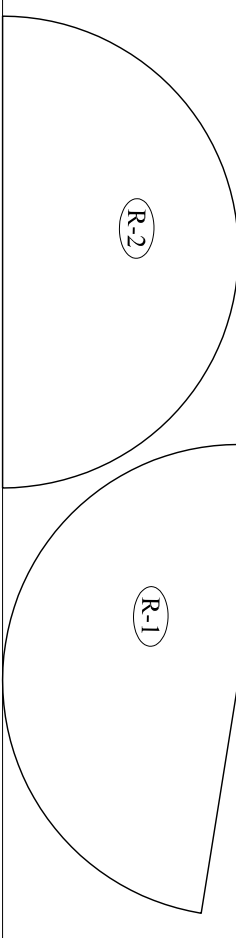
ITEM	DESCRIPTION	DIMENSION	MAT.	QTY.	REMARK
R-1	ROOF PLATE	SEE DWG., THK=10	A 283 C	1	
R-2	ROOF PLATE	SEE DWG., THK=10	A 283 C	1	
R-3	ROOF PLATE	SEE DWG., THK=10	A 283 C	13	



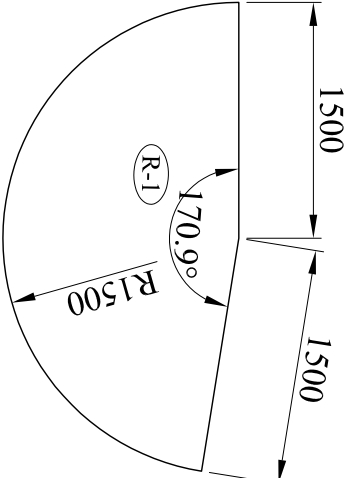
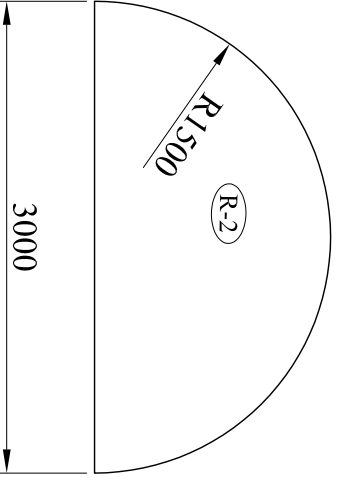
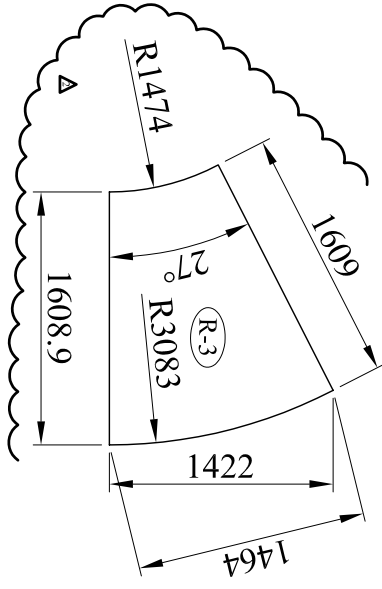
PL THK=10mm
QTY.=1
REMAIN FROM BOTTOM PLATE



PL THK=10mm
QTY.=4



PL THK=10mm
QTY.=1



PIDEC REVIEW & COMMENTS DOES NOT ABSOLVE THE VENDOR OF HIS RESPONSIBILITY FOR THE CORRECT DESIGN, MANUFACTURING AND OPERATION OF THE EQUIPMENT.

DESIGN & ENGINEERING COMPANY (PIDEC)
DISPOSITION
 NO COMMENT
 COMMENTS AS MARKED, FABRICATION CAN PROCEED ACCORDINGLY, REVISED DRAFT TO BE ISSUED EITHER FOR REVIEW OR AS FINAL CERTIFIED, HOWEVER PIDEC WILL CHECK THIS REVISED DOCUMENT FOR PROPER INCORPORATION.
 REJECTED, DOCUMENT TO BE RESUBMITTED, DO NOT PROCEED WITH THE FABRICATION, USED/RECEIVED FOR INFORMATION ONLY

SIGNATURE : _____ DATE : _____
SEQ. NO. : _____ REQ. NO. : _____

GENERAL DRAWING & SHELL DETAIL	DOCUMENT NUMBER
SEC-P1-091-ME-DWG-001	

REV.	DATE	DESCRIPTION	BY	CHECKED	APPROVED
1	08/04/2006	REVISED AS MARKED / FOR FABRICATION			
0	14/02/2006	COMPLETELY REVISED FOR FABRICATION FOR APPROVAL			

OWNER : NATIONAL PETROCHEMICAL COMPANY
DEVELOPMENT MANAGEMENT COMPANY (PIDM CO.)
PROJECT : AMMONIA AND UREA COMPLEX
IN BANDAR ASSALUYEH

CONTRACTOR : CONSULTANT OF TOYO ENGINEERING CORPORATION, CHYODA CORPORATION & PIDEC
TOYO ENGINEERING CORPORATION
CHYODA CORPORATION
AMMONIA PLANT LICENSER: M.W. KELLOGG

SCALE : 1/8" = 1'

SHEET : 1 OF 1

DRAWING NO. : SEC-P1-091-ME-DWG-002