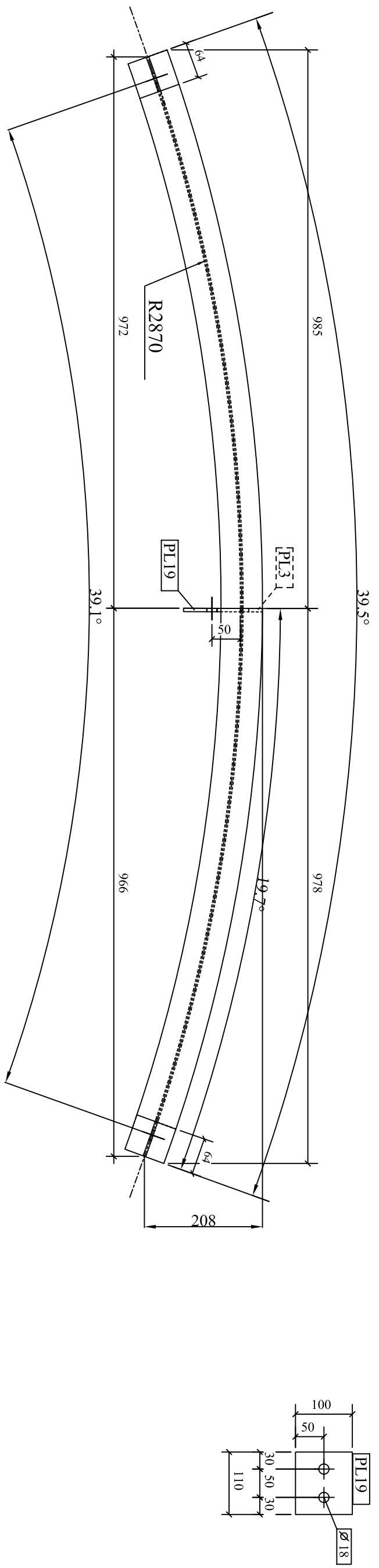
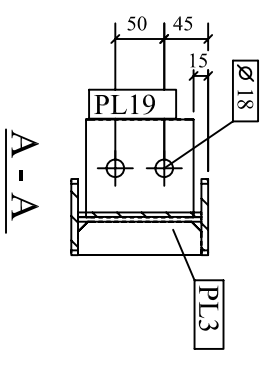
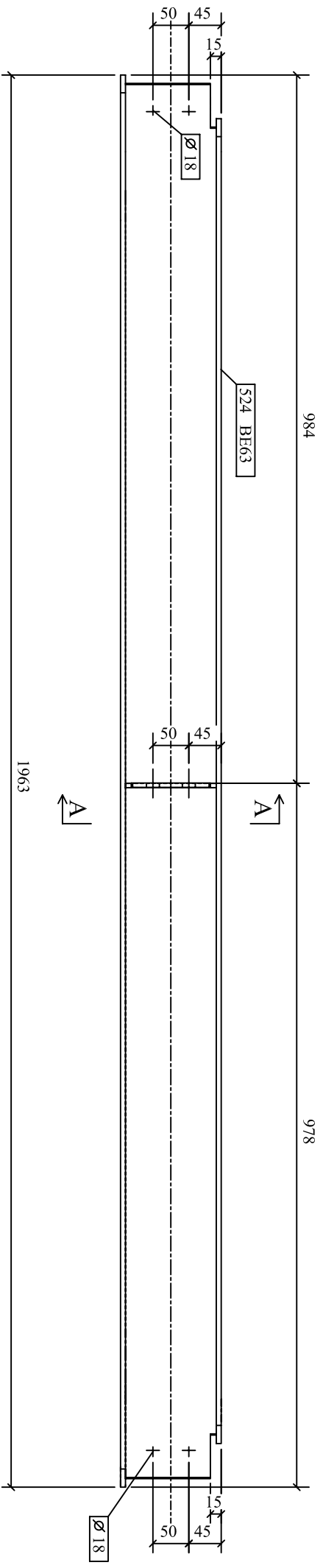


BOLT LIST FOR ASSEMBLY BE63 1 No. Required				
Diam	Grade	Length	No.	Total
(Total bolt one assembly X no of assembly)				0



MATERIAL LIST FOR ONE ASSEMBLY MARKED						BE63		1		No. Required	
Mark	Size	No.	Length	Area	Weight	Total Area	Total Weight				
524	IPE140	1	1977	1.089	25.451	1.089	25.451				
PL3	PL6*34	1	126	0.010	0.197	0.010	0.197				
PL19	PL6*100	1	110	0.025	0.518	0.025	0.518				
Sub Total							1.124			26.167	

REV.	ISSUE DATE	DESCRIPTION	DMN. BY	CHKD. BY	APPR. BY	DISCIPLINE	PROL.
1	09/07/2005	GENERALLY REVISED	MAB	IN	MAKKE		
0	12/03/2005	ISSUED FOR FABRICATION	MAB	IN	MAKKE		

ولایت مسکونی آقای موسوی و شریکا
صلا حدین کلا-مازندران

AMIR E. MIRSHAH
STRUCTURAL DESIGN ENGINEER

TITLE: BEAM BE63

DRAWING NO.: SEC-P1072-BE-63-A3

PROVIDER: Sebz Engineering

VENDOR: