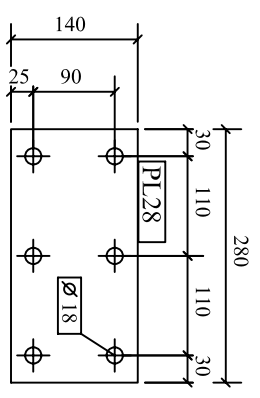
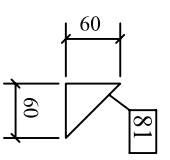
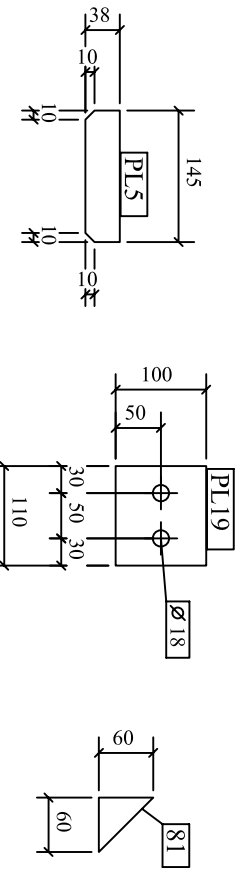
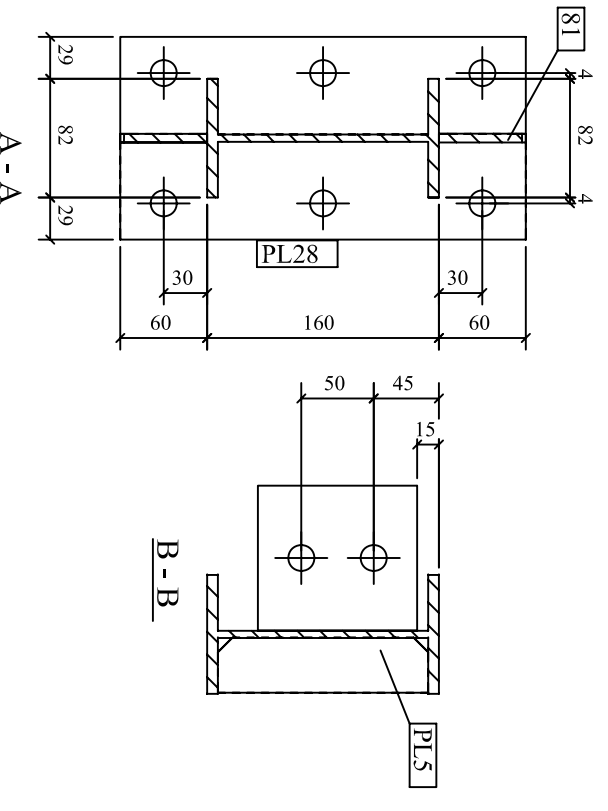
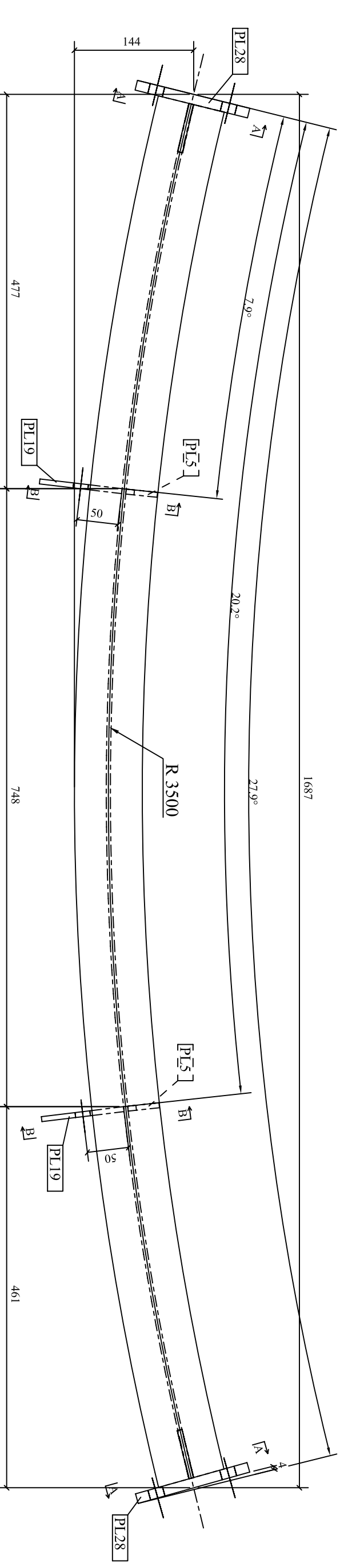
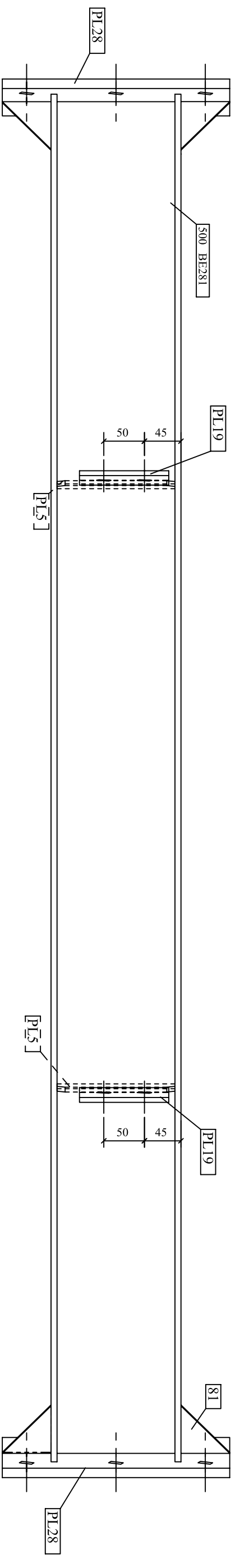


BOLT LIST FOR ASSEMBLY BE281 1 No. Required

Diam	Grade	Length	No.
16		50	6
(Total bolt one assembly X no of assembly)			Total 6



MATERIAL LIST FOR ONE ASSEMBLY MARKED

Mark	Size	No.	Length	Area	Weight	Total Area	Total Weight
81	PL6*60	4	60	0.005	0.085	0.019	0.339
500	IPE160	1	1681	1.047	26.505	1.047	26.505
PL5	PL6*38	2	145	0.013	0.255	0.026	0.510
PL19	PL6*100	2	110	0.025	0.518	0.049	1.036
PL28	PL12*140	2	280	0.088	3.693	0.177	7.385
(Total in one assembly)				Sub Total	1.318	35.776	
(Total one assembly X no of assembly)				Total	1.318	35.776	

REV.	ISSUE DATE	DESCRIPTION	DMN. BY	CHKD. BY	APPR. BY	DISCIPLINE
0	19/07/2005	ISSUED FOR FABRICATION				

ولایت مسکنی آقای موسوی و شریکا
 صلاحین کلا-مازندران

AMIR E. MIRSHAHI
 STRUCTURAL DESIGN ENGINEER

TITLE: BEAM BE281

DRAWING NO.: SEC-P1072-BE-281-A3

SCALE: SHEET 1 OF 1

PROVIDER: Subz Engineering Company
 WFNDR- مهندس سبز-صاحب

امیر اسحاق میر شاهی

