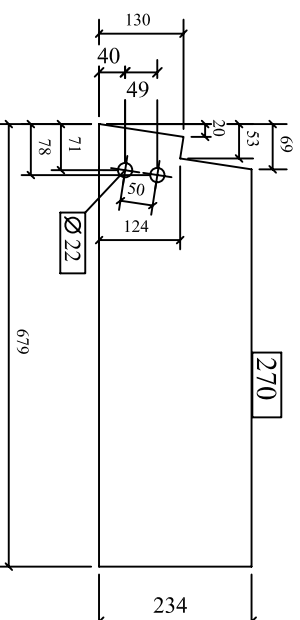
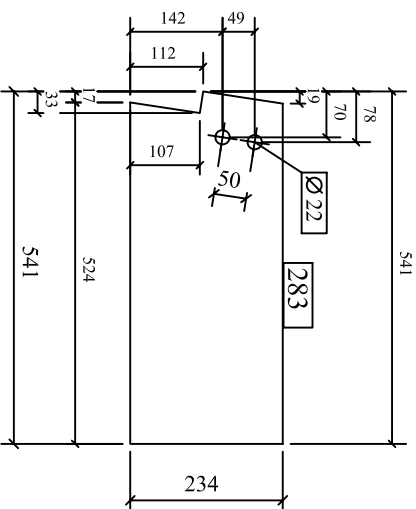
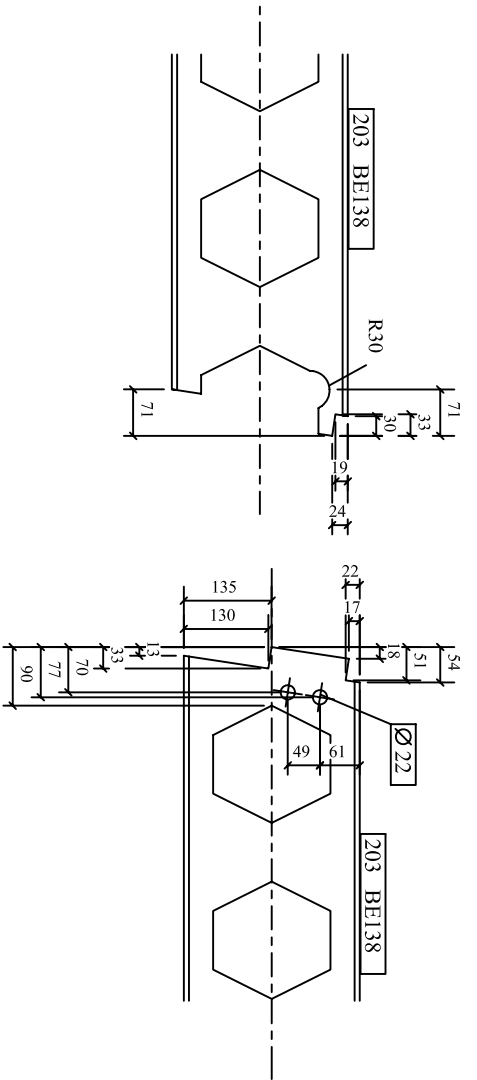
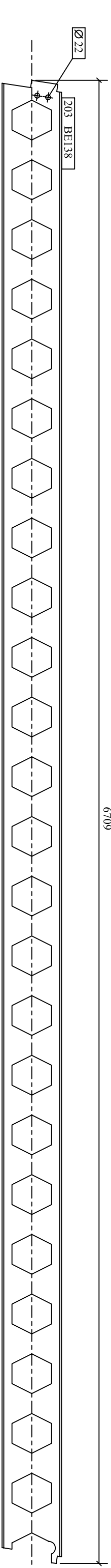
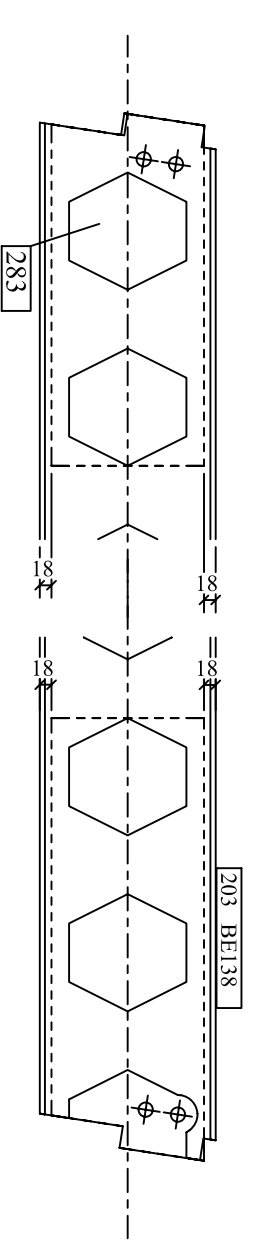
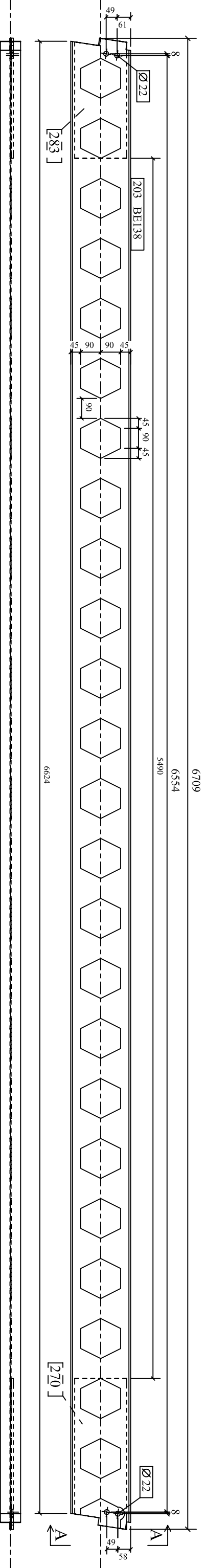


BOLT LIST FOR ASSEMBLY BE/138				1	No. Required
Diam	Grade	Length	No.		
20		50	2		
20		55	2		
(Total bolt one assembly X no of assembly)				Total	4



MATERIAL LIST FOR ONE ASSEMBLY MARKED								
Mark	Size	No.	Length	Area	Weight	BE/138	1	No. Required
203	CI BE180	1	6708	2.200	125.85	2.200	125.85	125.85
270	PL10*234	1	679	0.320	11.864	0.320	11.864	11.864
283	PL10*234	1	541	0.261	9.629	0.261	9.629	9.629
(Total in one assembly)				Sub Total	2.781	147.34	147.34	147.34
(Total one assembly X no of assembly)				Total	2.781	147.34	147.34	147.34

REV.	ISSUE DATE	DESCRIPTION	OWN. BY	CHKD. BY	APPR. BY	DISCIPLINE
1	09/07/2005	GENERALLY REVISED	M.B	I.N	M.S.R.F	
0	12/03/2005	ISSUED FOR FABRICATION	M.B	I.N	M.S.R.F	

ولایت مسکنی آقای موسوی و شرکت
 صلاحین کلا-مازندران

AMIR E. MIRSAHI
 STRUCTURAL DESIGN ENGINEER

BEAM BHE/638

DRAWING NO.: SEC-P1072-BE-63-A3

SCALE : SHEET 1 OF 1

PROVIDER: SEC Engineering Company

Subz VFNDR