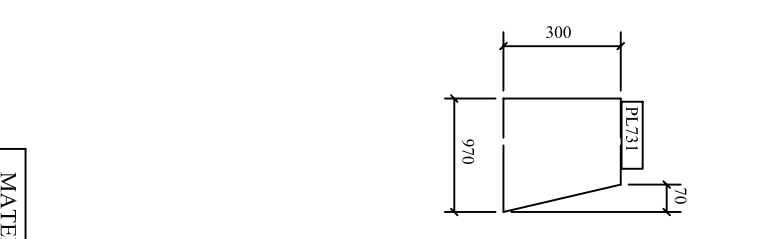
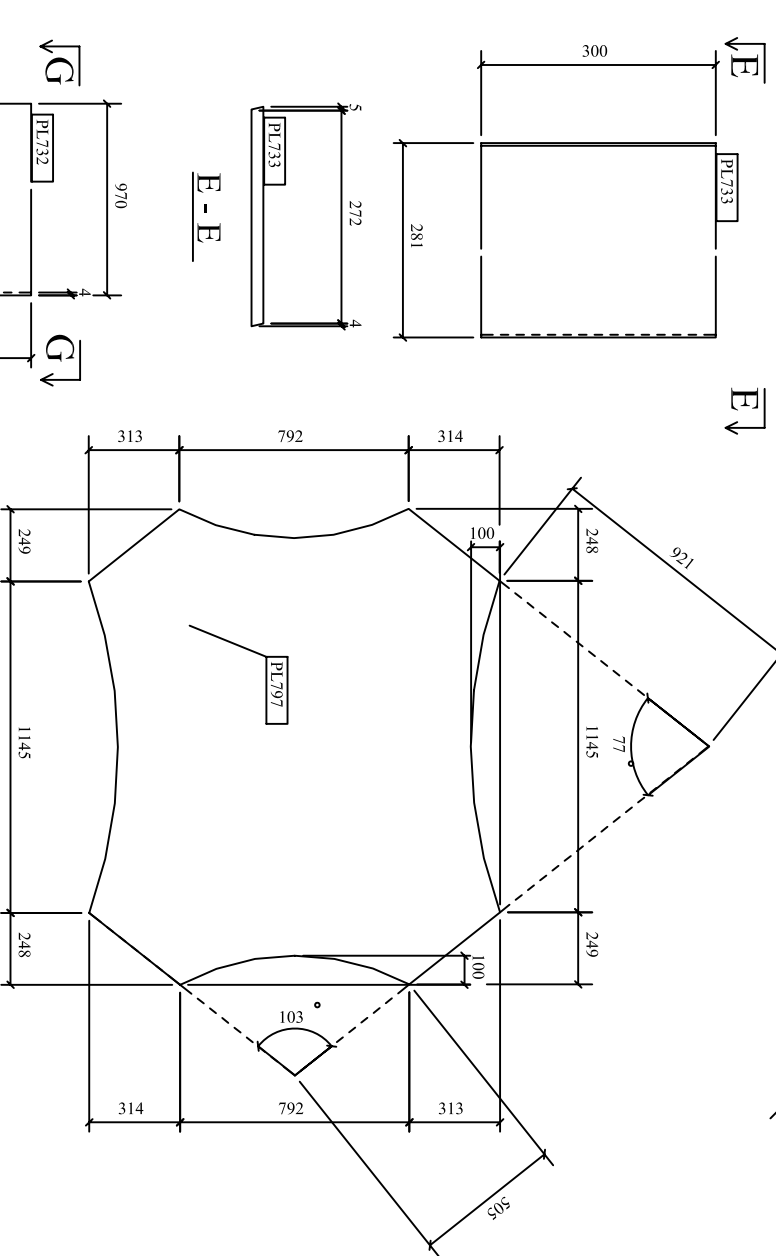
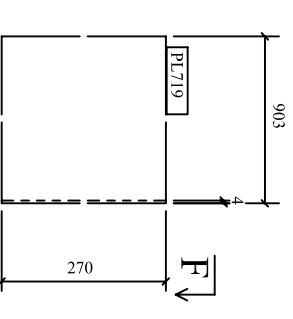
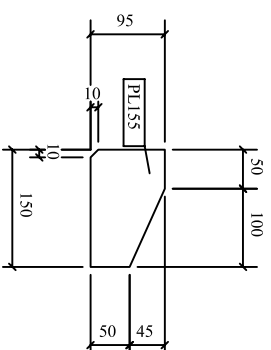
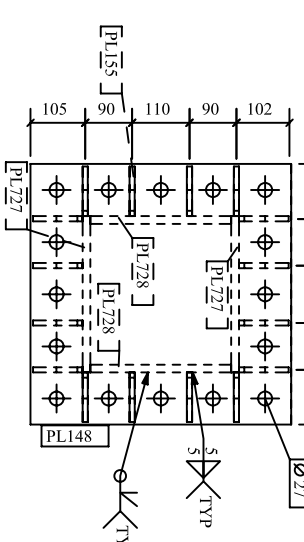
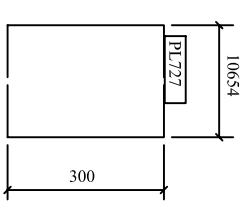
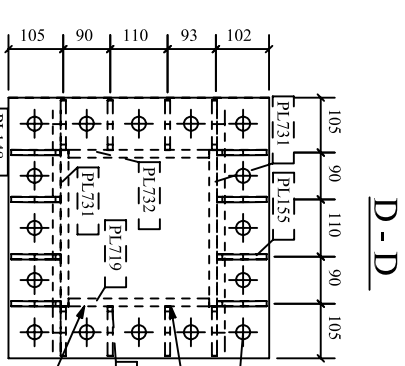
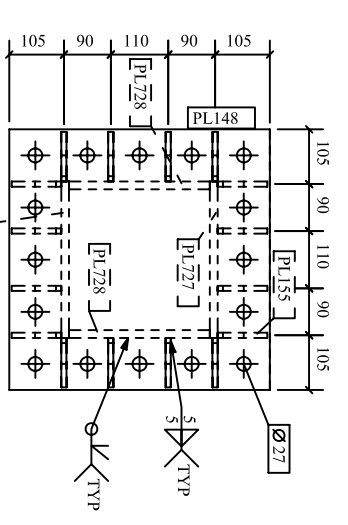
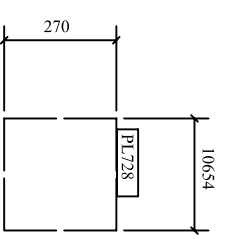
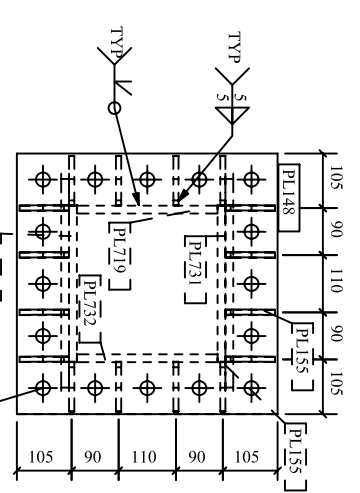
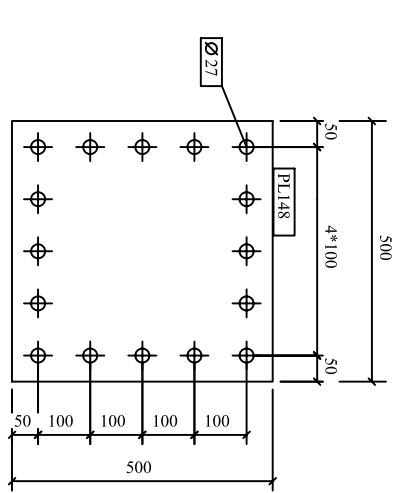
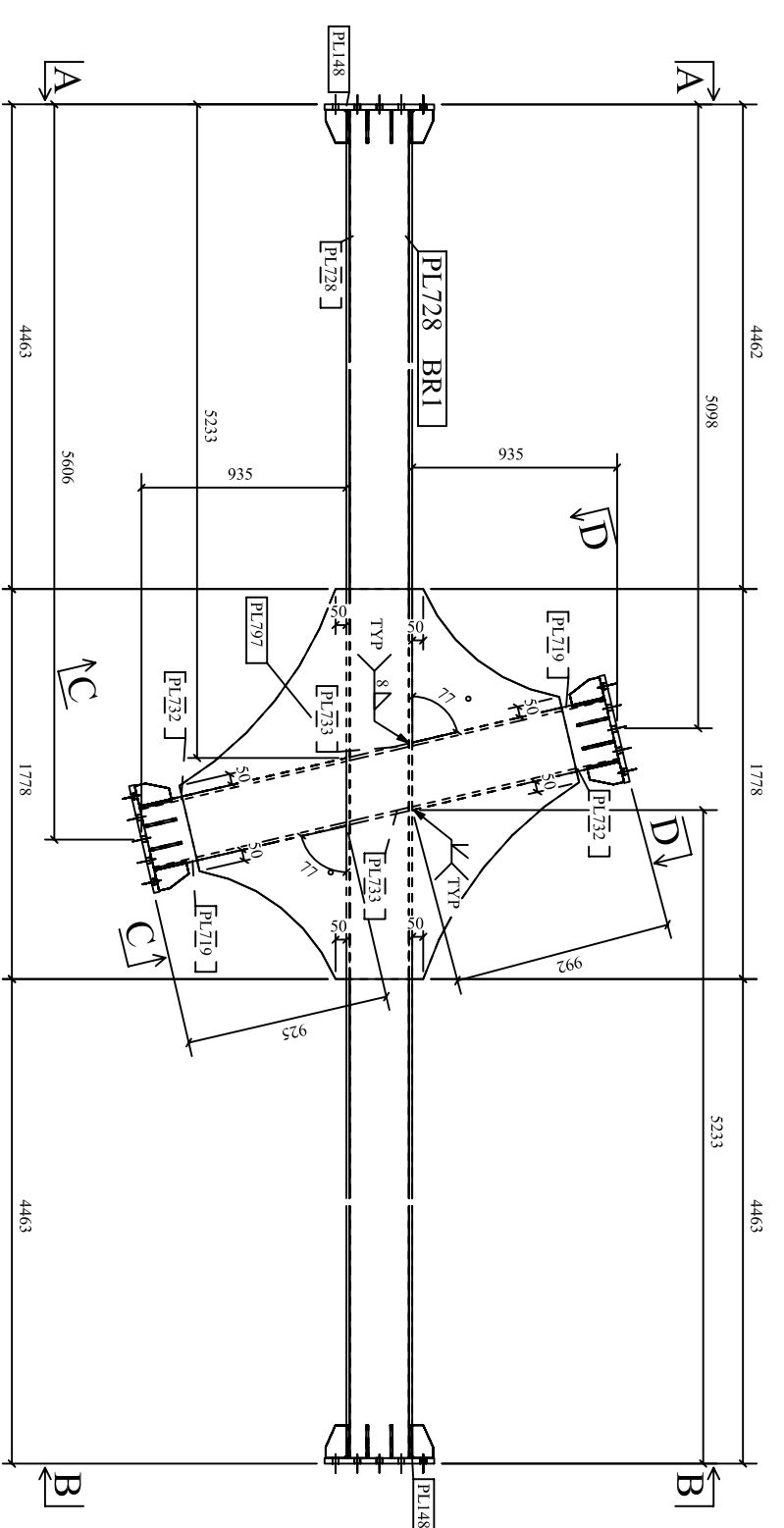


BOLT LIST FOR ASSEMBLY BR1				2		No. Required	
Diam	Grade	Length	No.				
24	85	85	64	Total	128		
(Total bolt one assembly X no of assembly)							



MATERIAL LIST FOR ONE ASSEMBLY MARKED							BR1		2		No. Required	
Mark	Size	No.	Length	Area	Weight	Total Area	Total Weight					
PL148	PL25*500	4	500	0.550	49.062	2.200	196.25					
PL155	PL10*95	64	150	0.028	0.938	1.817	60.037					
PL719	PL15*270	2	903	0.522	28.660	1.044	57.320					
PL727	PL15*300	2	1065.4	6.721	376.34	13.442	752.69					
PL728	PL15*270	2	1065.4	6.081	338.71	12.162	677.42					
PL731	PL15*300	4	970	0.598	33.022	2.392	132.08					
PL732	PL15*270	2	970	0.560	30.779	1.120	61.559					
PL733	PL15*300	2	281	0.184	9.795	0.368	19.590					
PL797	PL15*1594	2	1754	3.924	226.08	7.847	452.16					
(Total in one assembly)				Sub Total		42.392		2409.1				
(Total one assembly X no of assembly)				Total		84.784		4818.2				

SCALE:	PHASE:	CLIENT:
FIELD:	SIZE:	CEMENT ENGINEERING SERVICES CO.
REFERENCE DRAWING:	REV:	PROJECT TITLE:
1342.ST.421.01.50.00.1	1	KHUZESTAN EXTENSION PROJECT
1342.ST.421.01.51.00.1	0	UNITS:
1342.ST.421.01.52.00.0	0	CYCLONE PREHEATER
1342.ST.421.01.53.00.0	0	VENDOR:
1342.ST.421.01.53.00.1	1	PROVIDED BY:
1342.ST.421.01.54.00.1	1	Sabz Engineering Company
1342.ST.421.01.55.00.1	1	SEC Engineering Company
1342.ST.421.01.56.00.1	1	فورت مهندسی سبز
1342.ST.421.01.59.00.0	0	
1342.ST.421.01.60.00.0	0	
1342.ST.421.01.61.00.0	0	
TITLE:	FABRICATION DRAWING FOR	
BRACE	BR1	
SEC.DOC.NO:	SEC-PI095-DWG-ST-074	

Engineering Group
A.S.PARS
سازگاری و مهندسی پارس